

ACW090-090-140 - Single Phase AC Motor



FEATURES

- **Single Phase AC Motor**
- **Torque Up to 78.45 oz-in**
- **90mm Motor Diameter**
- **90 Watts of Power**
- **Can be Customized for**
 - **Winding Current**
 - **Shaft Options**
 - **Cables and Connectors**



DESCRIPTION

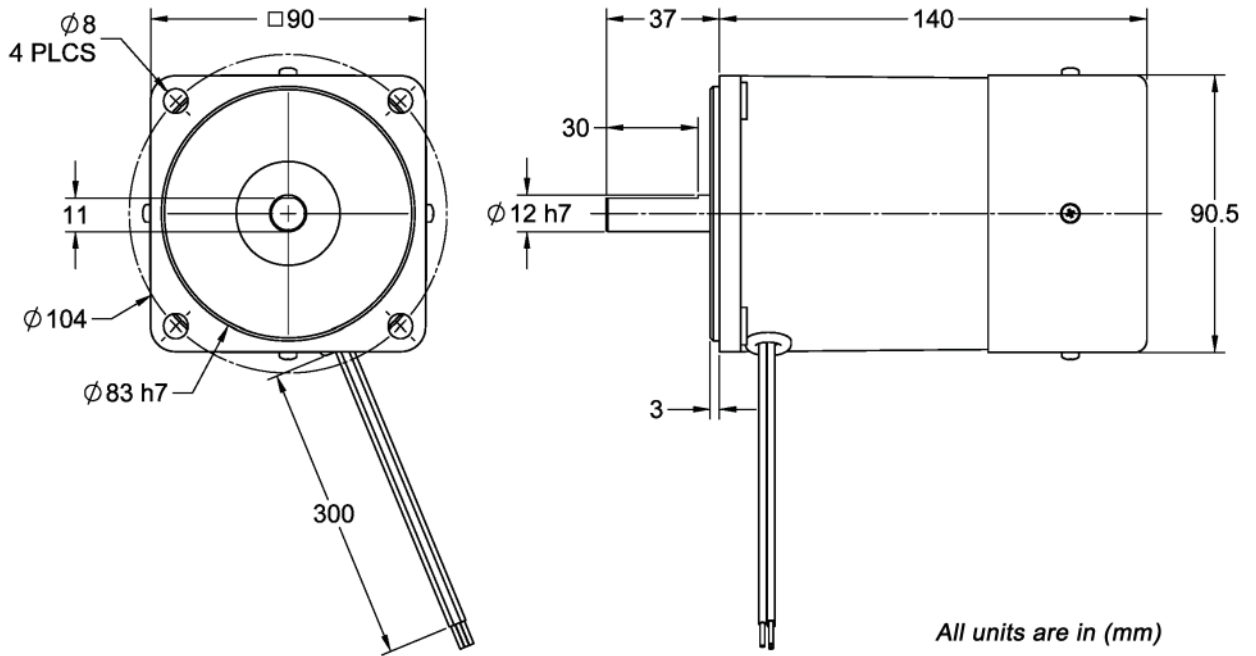
Anaheim Automation's single phase AC motors come in a variety of starting torques, rated torques and current. The ACW090-090-140 AC motor has a starting torque of 66.56 oz-in. They run up to 1550 RPM with single phase 110VAC, 60 Hz. The ACW090-090-140 offers torque ranges up to 78.45 oz-in. Other models are also available with a gearbox to provide even higher torques. Custom options for the Single Phase AC motor line include optimizing the maximum speed, torque, current, voltage, cabling wiring, connectors, and shaft modifications.

SPECIFICATIONS

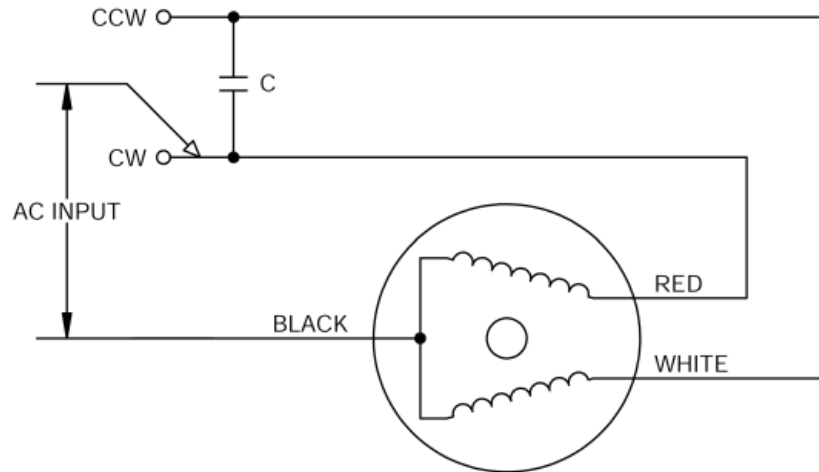
Model #	Input Voltage (VAC)	Power (W)	Current (A)	Motor Speed (RPM)	Start Torque (oz-in)	Rated Torque (oz-in)	Motor Diameter (mm)	Motor Length (mm)	Weight (lbs)
ACW090-090-140-110-1550	110	90	1.40	1550	66.56	78.45	90	140	7.05

L010506

DIMENSIONS



WIRING DIAGRAM



SPECIFICATIONS

Capacitor: uF/VAC	15 / 250	Phase:	Single-phase
Frequency:	60Hz	AC Motor Type:	Reversible
Radial Play:	99.21 lb - Force @ 20mm	Operating Temperature:	10° F to 131°F
Thrust Play:	22.05lb - Force	Humidity:	90%